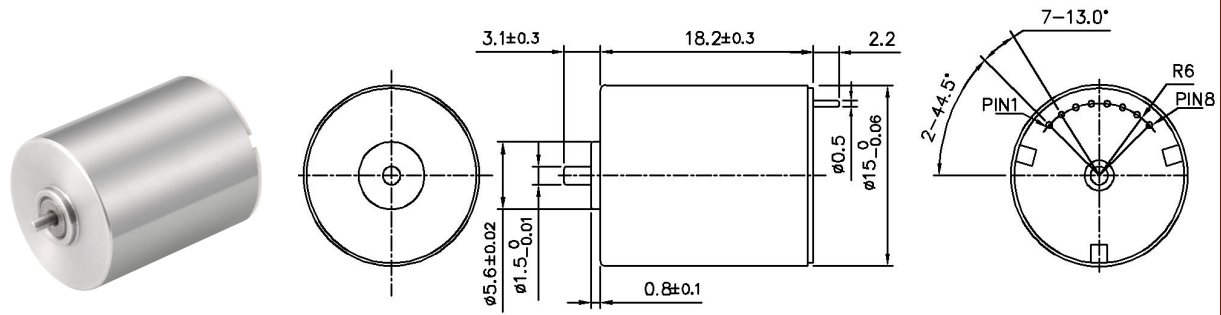


1518RB Coreless BLDC Motor



Coreless BLDC Motors

轴径 1.2 1.5可选

Typical Applications: Robot, RC servo

电机参数 (Motor data)		01A	02A			
额定电压下数值 (Values at nominal voltage)						
1 额定电压 (Nominal voltage)	V	12	7.4			
2 空载转速 (No load speed)	rpm	29740	37300			
3 空载电流 (No load current)	mA	200	260			
4 额定转速 (Nominal speed)	rpm	27360	31000			
5 额定转矩 (最大连续转矩) (Nominal torque)	mNm	1	2.1			
6 额定电流 (最大连续电流) (Nominal current)	A	0.46	1.3			
7 堵转转矩 (Stall torque)	mNm	12.3	12.3			
8 堵转电流 (Stall current)	A	3.40	6.75			
9 最大效率 (Max efficiency)	%	64	64			
电机常数 (Motor constant)						
10 相间电阻 (Terminal resistance)	Ω	3.53	1.1			
11 转矩常数 (Torque constant)	mNm/A	3.78	1.86			
12 速度常数 (Speed constant)	rpm/V	2478	5040			

其他特性参数 Other characteristic parameters

- 13 环境温度范围 (Ambient temperature) -10~40℃
- 14 绕组最高允许温度 (Max permissible winding temperature) 120℃
- 15 最高允许转速 (Max permissible speed) 30000rpm
- 16 电极磁极对数 (Number of the pole pairs) 1
- 17 相数 (Number of Phases) 3
- 18 电机质量 (Weight) 16g

端子定义 (terminals):

- PIN1 C
- PIN2 GND
- PIN3 HB
- PIN4 HA
- PIN5 B
- PIN6 VCC
- PIN7 HC
- PIN8 A

01A电机曲线图 motor curve

